

Version	2.0	Date	5/20/23
Prepared By	JC		

**PRODUCT SPECIFICATION**

<b>Category</b>	Bulkhead Wall Light
<b>Item Number</b>	7025
<b>Stock Code</b>	LED-FXBWL10/850/BK
<b>Mounting</b>	Wall
<b>Housing Color</b>	Black



**ELECTRICAL CHARACTERISTICS**

Rated Wattage (W)	10	Replacement Wattage (W)	90
Tested Wattage (W)	10		
Input Voltage (V)	120V	Surge Protect Level	-
Voltage Frequency (Hz)	50/60	Dimmable	-
Input Current (A)	0.1	AUX (12V) Line	-
Power Factor	>0.9		
THD	-		

**PHOTOMETRIC CHARACTERISTICS**

Lumen (lm)	700	CCT (K)	5000K
Efficacy (lm/w)	-	Beam Angle (°)	-
CRI	>80		

**GENERAL CHARACTERISTICS**

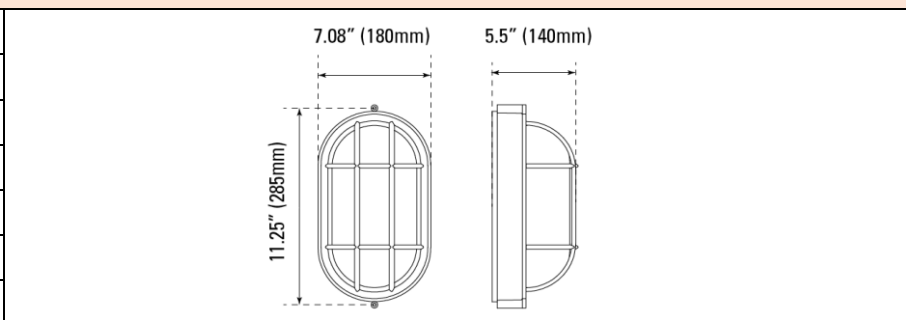
Operating Temperature (°F)	-4°F ~ 104°
Storage Temperature (°F)	-4°F ~ 122°
IP Rating	Wet Location
IK Rating	-
Rated Life (Hrs)	50,000
Warranty (Yrs)	5

**ACCESSORIES**

Item #	Stock Code	Description
P10036	SEN-PHO-BT-MT/MV	Photocell

**PRODUCT DIMENSIONS**

Width- in / (mm)	7.08"      180
Height- in / (mm)	11.25"      285
Depth- in / (mm)	5.50"      140
EPA (ft²)	-
Weight (lbs)	3.53
Mounting Height (ft)	-
Cable Length (ft)	-



**CERTIFICATIONS**

UL/ETL	ETL	CEC	
NSF/ETL Sanitation		JA8	
Energy Star	✓	FCC	
DLC		RoHs	

**DOCUMENTS**

LM79	✓	IES File	✓
LM80	✓	Dimmer List	

**COMMENTS**

--